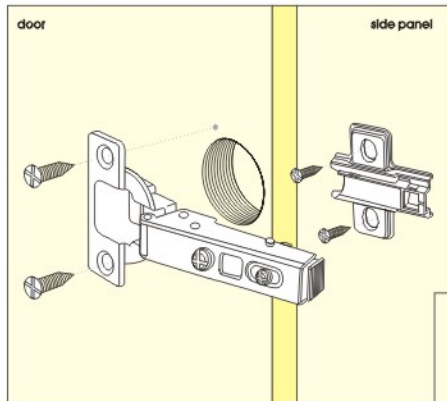




## 安裝說明 Assembly

- 1** 請依鑽孔“K”之位置來進行安裝。  
The drilling distance “K” may be determined from the figures given before installation.

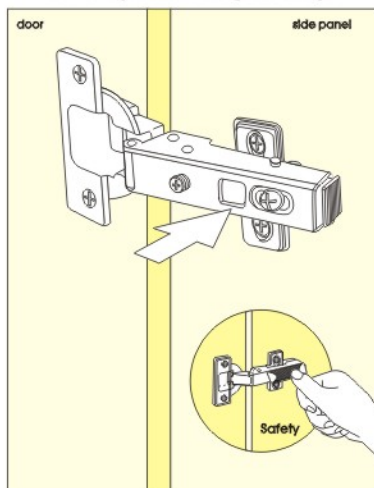
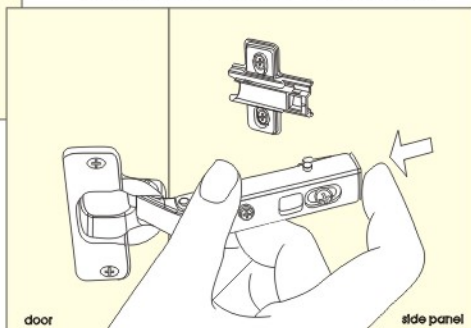


- 3** 依箭頭指示輕壓鉸鏈臂尾端按頭，即可順利拆卸。  
Removing the hinge from the plate by press gently in the place shown by the arrow.

Removing the hinge from the plate by press gently in the place shown by the arrow.

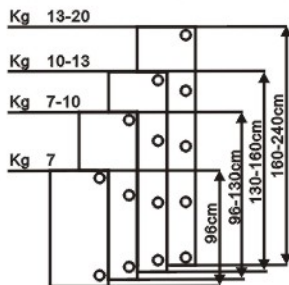
- 2** 將鉸鏈前端鉤住底座再輕輕一按，即可安全卡住。

Clipping the hinge onto the plate from the front position and press it up.



- 每扇門所需的鉸鏈數，請參考下列門板重量及尺寸來進行安裝。

Determinating the number of hinges to be used according to the door height and weight:



## 調整說明 Adjustment

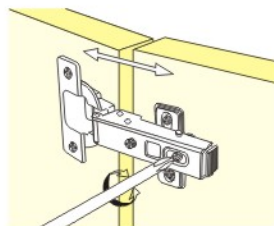
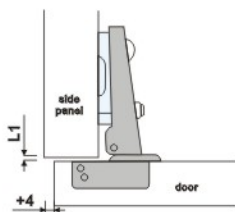
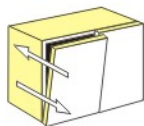
### 左右調整

#### Front adjustment

- 將此螺絲鎖緊可固定門板  
Tighten the screw to fix the door.
- 門板左右可調整距離達4MM

The distance between the door and the side panel can be adjusted:

+ 4mm



### 深度調整

#### Lateral overlay adjustment

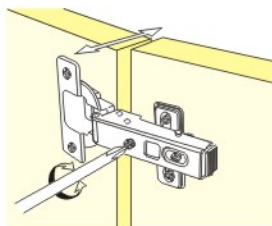
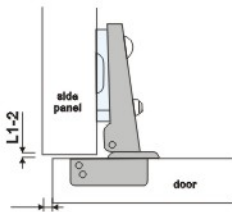
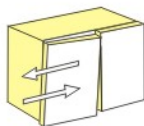
- 此螺絲可將門板調整到適當位置  
Adjusting the screw to enable the door with appropriated position against the side panel.

- 注意!爲了不損傷油壓緩衝器,此一可調距離僅1MM.

For the protection of damper, it just allows a lateral adjustment of:

**Attention !**

+ 1mm



### 垂直調整

#### Vertical adjustment

- 傳統式上下調整方式  
Traditional up and down adjustment
- 扭鬆底座上螺絲,門板可上下移動各2MM

The door can be vertically adjusted by turning the plate screws up and down as below:

± 2mm

